

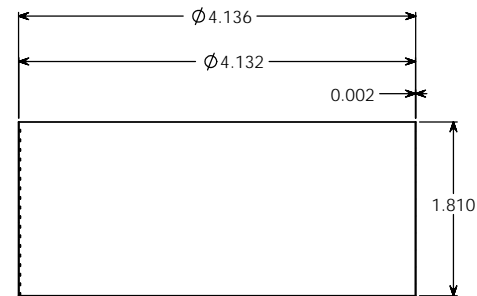
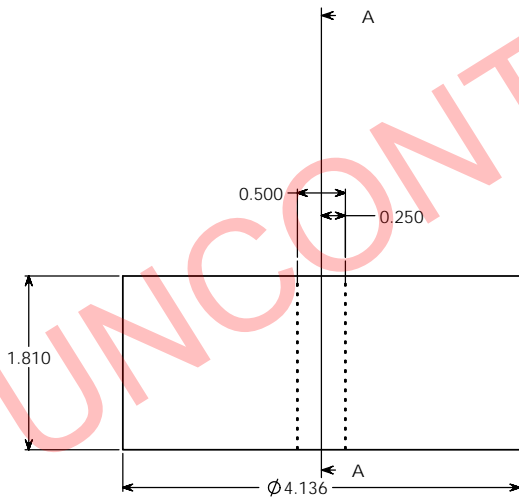
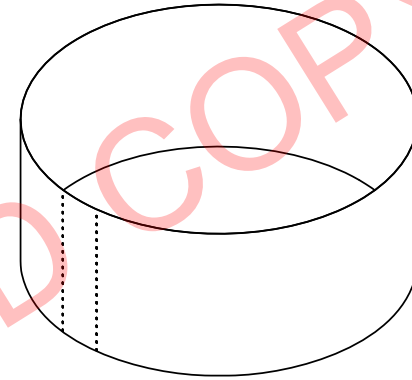
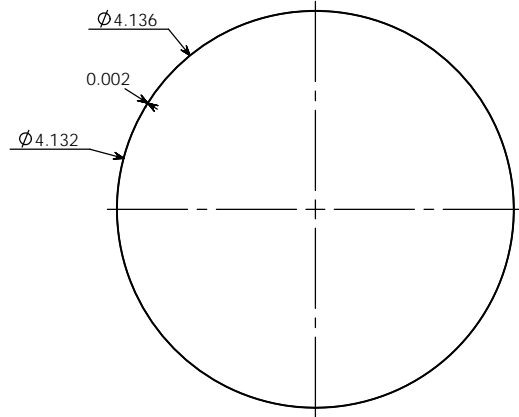
PROPERTY OF

PPI IS NOT RESPONSIBLE FOR PRODUCT COMPATABILITY.
NOT ALL MATERIALS ARE SUITABLE FOR ALL APPLICATIONS.



PARKWAY PLASTICS

IT IS THE BUYER'S SOLE RESPONSIBILITY TO TEST THE COMPATIBILITY OF
THEIR PRODUCTS WITH PARKWAY'S PRODUCTS & SERVICES.



SECTION A-A

NOTE:

SHRINKSLEEVES ARE SHIPPED
PRESSED FLAT WITH SPECIFIC WIDTH
& HEIGHT MEASUREMENTS. EACH
MEASUREMENT HAS A TOLERANCE
OF +/- .125 INCHES (3.175 MM).

PROPRIETARY AND CONFIDENTIAL
THE INFORMATION CONTAINED IN THIS
DRAWING IS THE SOLE PROPERTY OF
PARKWAY PLASTICS INC. ANY
REPRODUCTION IN PART OR AS A WHOLE
WITHOUT THE WRITTEN PERMISSION OF
PARKWAY PLASTICS INC IS PROHIBITED.

WIDTH	HEIGHT	UNLESS OTHERWISE SPECIFIED:	NAME	DATE	PARKWAY PLASTICS INC
165MM	46MM	DIMENSIONS ARE IN INCHES	S.P.	02/05/15	
		TOLERANCES:	CHECKED		TITLE:
		FRACTIONAL ±	ENG APPR		6OZ 100MM TW CLEAR
		ANGULAR: MATCH ± BEND ±	MFG APPR		PVC SHRINK SLEEVE
		TWO PLACE DECIMAL ±	D.A.		SIZE DWG. NO.
		THREE PLACE DECIMAL ±	COMMENTS:		C B1000600 Shrink Sleeve
		INTERPRET GEOMETRIC			REV
		TOLERANCING PER:			SCALE: 1:1
		MATERIAL			WEIGHT:
NEXT ASSY	USED ON	FINISH			SHEET 1 OF 1
APPLICATION		DO NOT SCALE DRAWING			

PROPERTY OF

PPI IS NOT RESPONSIBLE FOR PRODUCT COMPATABILITY.
NOT ALL MATERIALS ARE SUITABLE FOR ALL APPLICATIONS.



PARKWAY PLASTICS

IT IS THE BUYER'S SOLE RESPONSIBILITY TO TEST THE COMPATIBILITY OF
THEIR PRODUCTS WITH PARKWAY'S PRODUCTS & SERVICES.

**6OZ 100MM TW CLEAR PVC SHRINK SLEEVE
165MM X 46MM**



UNCONTROLLED COPY