

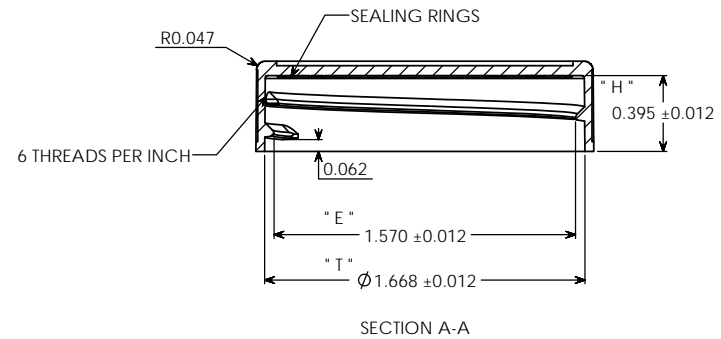
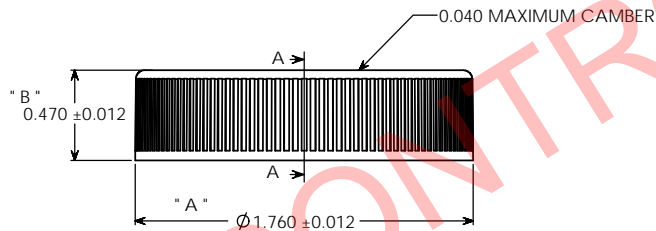
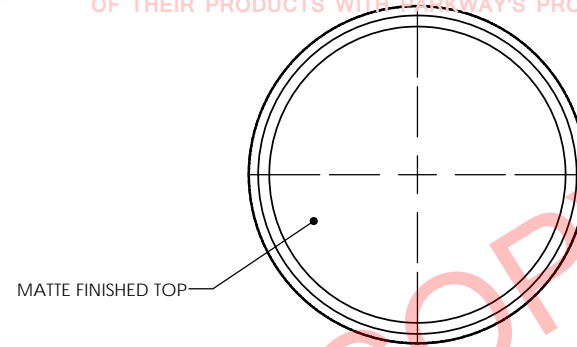
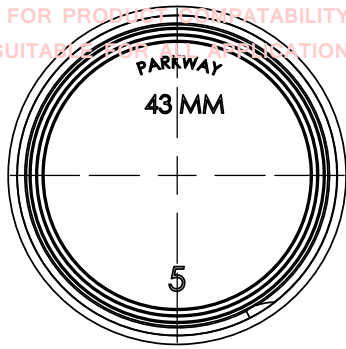
PROPERTY OF

PPI IS NOT RESPONSIBLE FOR PRODUCT DURABILITY.
NOT ALL MATERIALS ARE SUITABLE FOR ALL APPLICATIONS.



PARKWAY PLASTICS

IT IS THE BUYER'S SOLE RESPONSIBILITY TO TEST THE COMPATIBILITY
OF THEIR PRODUCTS WITH PARKWAY'S PRODUCTS & SERVICES.



UNCONTROLLED COPY

NOTE

MANUFACTURER RESERVES THE RIGHT TO
CHANGE SPECIFICATIONS WITHOUT NOTICE.

WEIGHT: 3.5 GRAMS ± 2 GRAMS

PROPRIETARY AND CONFIDENTIAL
THE INFORMATION CONTAINED IN THIS
DRAWING IS THE SOLE PROPERTY OF
PARKWAY PLASTICS INC. ANY
REPRODUCTION IN PART OR AS A WHOLE
WITHOUT THE WRITTEN PERMISSION OF
PARKWAY PLASTICS INC IS PROHIBITED.

* T * DIMENSION	1.668 ± 0.012	UNLESS OTHERWISE SPECIFIED:	NAME	DATE	PARKWAY PLASTICS INC TITLE: 43 MM TEXTURED RIBBED WALL CAP (CUSTOMER PRINT)	
* E * DIMENSION	1.570 ± 0.012	DIMENSIONS ARE IN INCHES	DRAWN	G.W.W		11/21/12
* H * DIMENSION	0.395 ± 0.012	FRACTIONAL ±	CHECKED			
* A * DIMENSION	1.760 ± 0.012	ANGULAR MATCH ± BEND ±	ENG APPR			
* B * DIMENSION	0.470 ± 0.012	TWO PLACE DECIMAL ± THREE PLACE DECIMAL ±	MFG APPR			
SECTION VIEW A - A	CAP	MATERIAL S10 - 01	COMMENTS REPLACES PRINT # 43TRWC		SIZE C	
NEXT ASSY	USED ON	C.COLORANT NA			DWG. NO. C043C4RPLIN	
APPLICATION		DO NOT SCALE DRAWING			REV	
					SCALE: 2:1	
					WEIGHT:	
					SHEET 1 OF 1	