

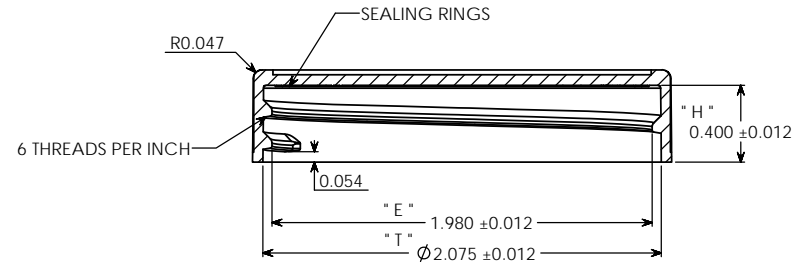
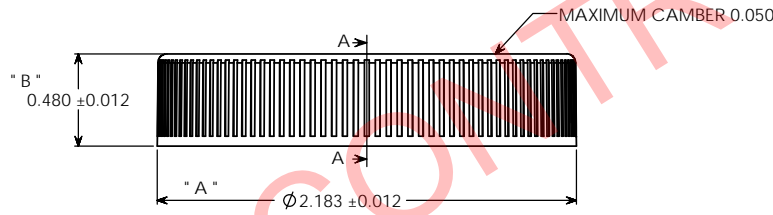
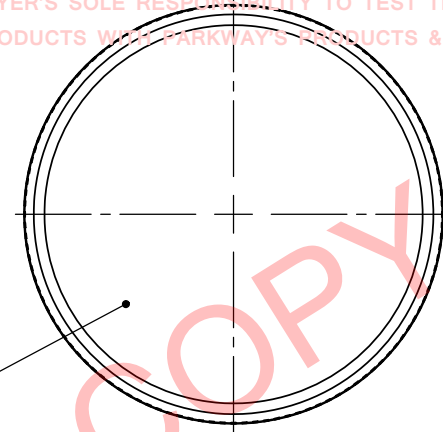
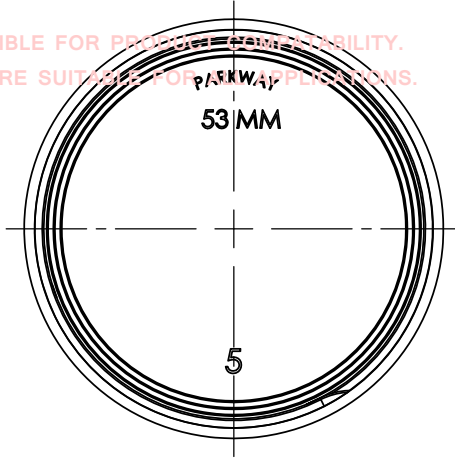
PROPERTY OF



PARKWAY PLASTICS

PPI IS NOT RESPONSIBLE FOR PRODUCT LIABILITY.  
NOT ALL MATERIALS ARE SUITABLE FOR ALL APPLICATIONS.

IT IS THE BUYER'S SOLE RESPONSIBILITY TO TEST THE COMPATIBILITY  
OF THEIR PRODUCTS WITH PARKWAY'S PRODUCTS & SERVICES.



SECTION A-A

NOTE

=====

MANUFACTURER RESERVES THE RIGHT TO  
CHANGE SPECIFICATIONS WITHOUT NOTICE.

WEIGHT: 5.25 GRAMS ± 2 GRAM

PROPRIETARY AND CONFIDENTIAL  
THE INFORMATION CONTAINED IN THIS  
DRAWING IS THE SOLE PROPERTY OF  
PARKWAY PLASTICS INC. ANY  
REPRODUCTION IN PART OR AS A WHOLE  
WITHOUT THE WRITTEN PERMISSION OF  
PARKWAY PLASTICS INC IS PROHIBITED.

"T" DIMENSION	2.075 ± 0.012	UNLESS OTHERWISE SPECIFIED:	NAME	DATE	PARKWAY PLASTICS INC
"E" DIMENSION	1.980 ± 0.012	DIMENSIONS ARE IN INCHES	G.W.W	11/27/12	
"H" DIMENSION	0.400 ± 0.012	FRACTIONAL ±	CHECKED		TITLE:
"A" DIMENSION	2.183 ± 0.012	ANGULAR MATCH ± BEND ±	ENG APPR		53MM RIBBED WALL CAP
"B" DIMENSION	0.480 ± 0.012	TWO PLACE DECIMAL	MFG APPR		(CUSTOMER PRINT)
SECTION VIEW	CAP	THREE PLACE DECIMAL ±	D.A.		SIZE DWG. NO.
A - A			COMMENTS:		C C053C4RPLIN
NEXT ASSY	USED ON	MATERIAL	REPLACES PRINT	# 53SCTWP	REV
		S10-01			
		COLORANT			SCALE: 2:1 WEIGHT:
		LINER			SHEET 1 OF 1
APPLICATION		DO NOT SCALE DRAWING			

UNCONTROLLED COPY