

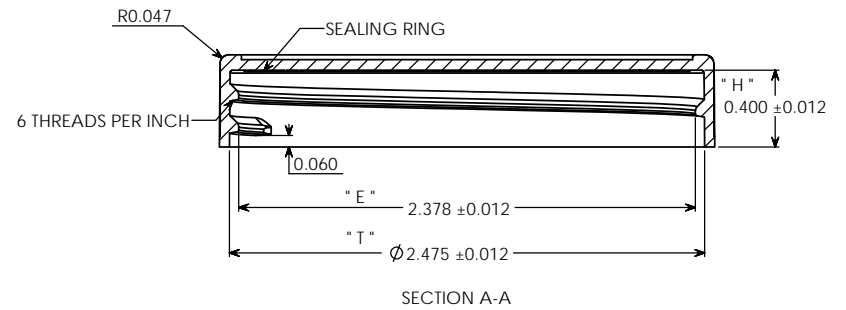
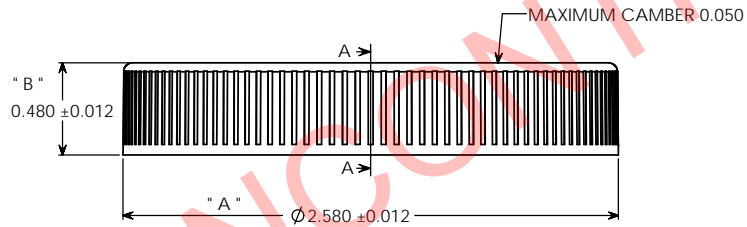
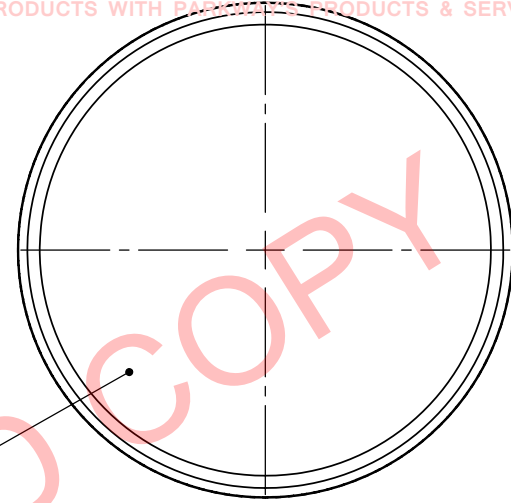
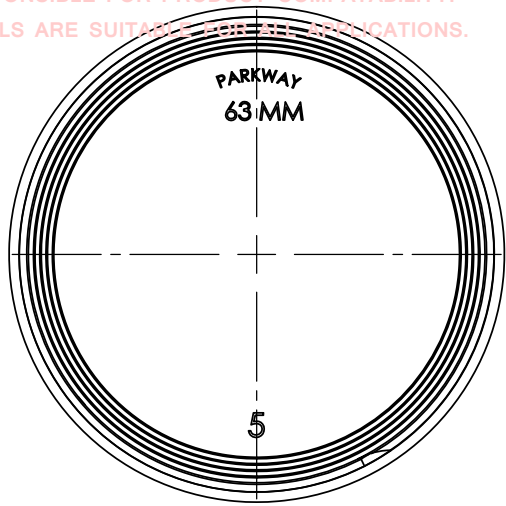
PROPERTY OF

PPI IS NOT RESPONSIBLE FOR PRODUCT COMPATABILITY.
NOT ALL MATERIALS ARE SUITABLE FOR ALL APPLICATIONS.



PARKWAY PLASTICS

IT IS THE BUYER'S SOLE RESPONSIBILITY TO TEST THE COMPATIBILITY
OF THEIR PRODUCTS WITH PARKWAY'S PRODUCTS & SERVICES.



UNCONTROLLED COPY

NOTE

MANUFACTURER RESERVES THE RIGHT TO
CHANGE SPECIFICATIONS WITHOUT NOTICE.

WEIGHT: 6.80 GRAMS ± 2 GRAMS

PROPRIETARY AND CONFIDENTIAL
THE INFORMATION CONTAINED IN THIS
DRAWING IS THE SOLE PROPERTY OF
PARKWAY PLASTICS INC. ANY
REPRODUCTION IN PART OR AS A WHOLE
WITHOUT THE WRITTEN PERMISSION OF
PARKWAY PLASTICS INC IS PROHIBITED.

* T * DIMENSION	2.475 ± 0.012	UNLESS OTHERWISE SPECIFIED: DIMENSIONS ARE IN INCHES TOLERANCES: FRACTIONAL ± ANGULAR MATCH ± BEND ± TWO PLACE DECIMAL ± THREE PLACE DECIMAL ±	NAME	DATE	PARKWAY PLASTICS INC TITLE: 63MM RIBBED WALL WHITE CAP (CUSTOMER PRINT)	
* E * DIMENSION	2.378 ± 0.012		DRAWN	G.W.W		11/29/12
* H * DIMENSION	0.400 ± 0.012		CHECKED			
* A * DIMENSION	2.580 ± 0.012		ENG APPR			
* B * DIMENSION	0.480 ± 0.012		MFG APPR			
SECTION VIEW A - A		MATERIAL	DIA		COMMENTS:	
CAP		COLORANT	S11			
NEXT ASSY	USED ON	LINER	61 WHITE			
APPLICATION		DO NOT SCALE DRAWING				
SCALE: 2:1	WEIGHT:	SHEET 1 OF 1				