

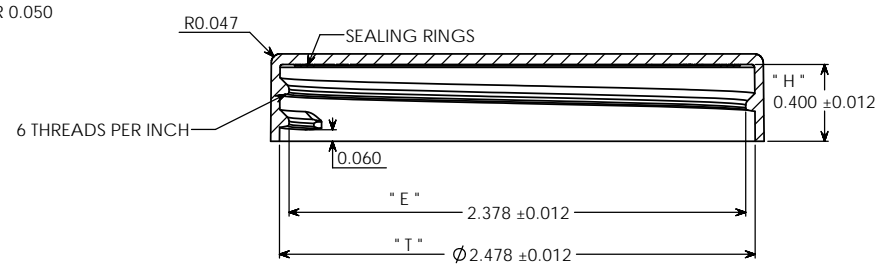
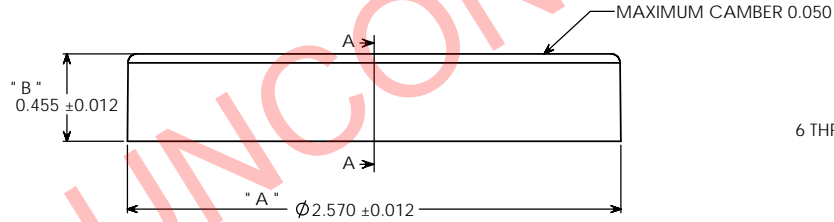
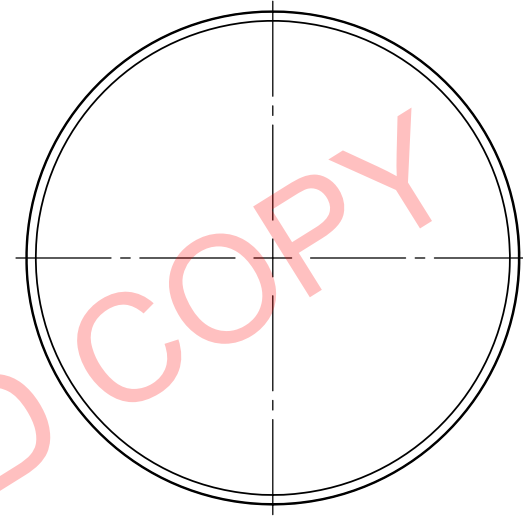
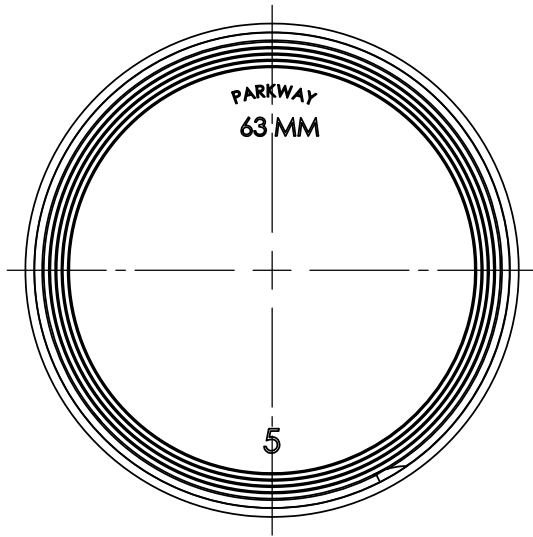
PROPERTY OF

PPI IS NOT RESPONSIBLE FOR PRODUCT COMPATABILITY.
NOT ALL MATERIALS ARE SUITABLE FOR ALL APPLICATIONS.



PARKWAY PLASTICS

IT IS THE BUYER'S SOLE RESPONSIBILITY TO TEST THE COMPATIBILITY
OF THEIR PRODUCTS WITH PARKWAY'S PRODUCTS & SERVICES.



NOTE

=====

MANUFACTURER RESERVES THE RIGHT TO
CHANGE SPECIFICATIONS WITHOUT NOTICE.

SECTION A-A

"T" DIMENSION	2.478 ± 0.012	UNLESS OTHERWISE SPECIFIED: DIMENSIONS ARE IN INCHES TOLERANCES: FRACTIONAL ± ANGULAR MATCH ± BEND ± TWO PLACE DECIMAL ± THREE PLACE DECIMAL ±	NAME	DATE	PARKWAY PLASTICS INC TITLE: 63MM SMOOTH WHITE CAP (CUSTOMER PRINT)	
"E" DIMENSION	2.378 ± 0.012		DRAWN	G.W.W		11/28/12
"H" DIMENSION	0.400 ± 0.012		CHECKED			
"A" DIMENSION	2.570 ± 0.012		ENG APPR			
"B" DIMENSION	0.455 ± 0.012		MFG APPR			
SECTION VIEW	CAP	MATERIAL	S11		DIA.	
		COLORANT	61 WHITE		COMMENTS:	
NEXT ASSY	USED ON	LINER				
APPLICATION		DO NOT SCALE DRAWING				

WEIGHT: 6.40 GRAMS ± 2 GRAMS

SIZE	DWG. NO.	REV
C	C063C4SPLIW	
SCALE: 2:1	WEIGHT:	SHEET 1 OF 1