

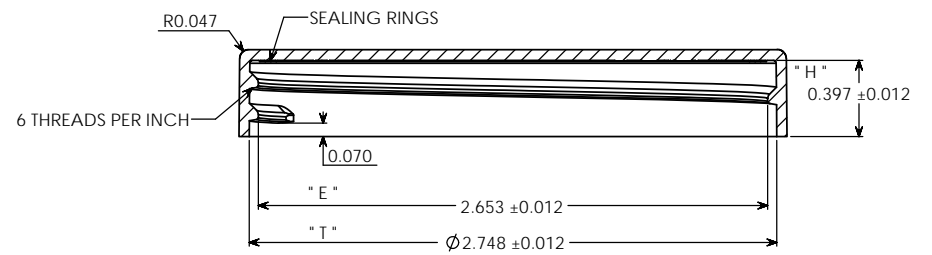
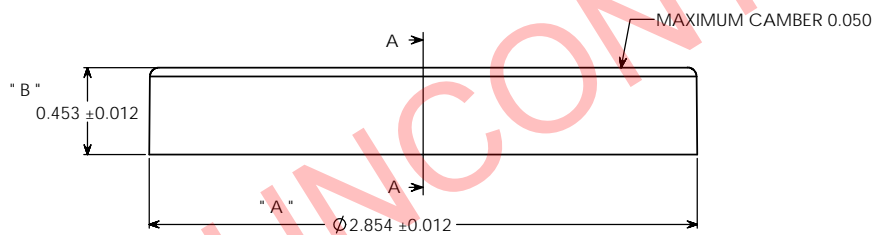
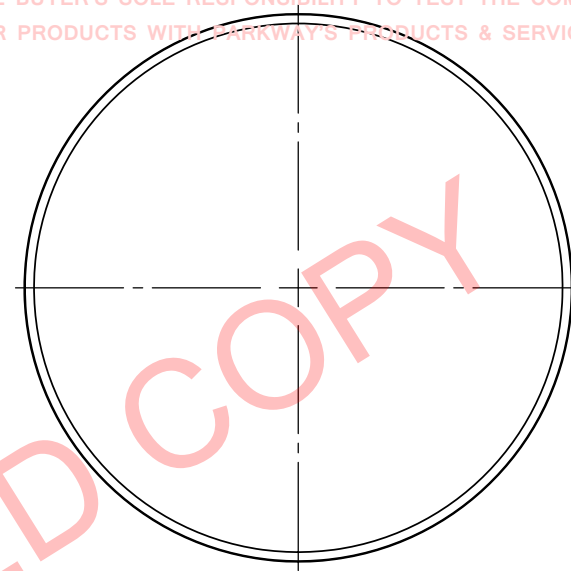
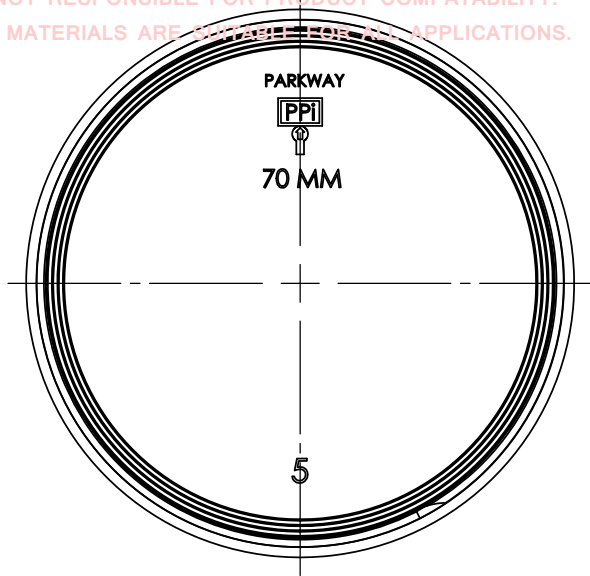
PROPERTY OF



PARKWAY PLASTICS

PPI IS NOT RESPONSIBLE FOR PRODUCT COMPATABILITY.
NOT ALL MATERIALS ARE SUITABLE FOR ALL APPLICATIONS.

IT IS THE BUYER'S SOLE RESPONSIBILITY TO TEST THE COMPATIBILITY
OF THEIR PRODUCTS WITH PARKWAY'S PRODUCTS & SERVICES.



SECTION A-A

NOTE
=====
MANUFACTURER RESERVES THE RIGHT TO
CHANGE SPECIFICATIONS WITHOUT NOTICE.

WEIGHT: 8 GRAMS ± 2 GRAMS

PROPRIETARY AND CONFIDENTIAL
THE INFORMATION CONTAINED IN THIS
DRAWING IS THE SOLE PROPERTY OF
PARKWAY PLASTICS INC. ANY
REPRODUCTION IN PART OR AS A WHOLE
WITHOUT THE WRITTEN PERMISSION OF
PARKWAY PLASTICS INC IS PROHIBITED.

* T * DIMENSION	2.748 ± 0.012	UNLESS OTHERWISE SPECIFIED: DIMENSIONS ARE IN INCHES TOLERANCES: FRACTIONAL ± ANGULAR MATCH ± BEND ± TWO PLACE DECIMAL ± THREE PLACE DECIMAL ±	NAME	DATE	PARKWAY PLASTICS INC TITLE: 70MM SMOOTH WALL BLACK CAP (CUSTOMER PRINT)	
* E * DIMENSION	2.653 ± 0.012		DRAWN	G.W.W		11/30/12
* H * DIMENSION	0.397 ± 0.012		CHECKED			
* A * DIMENSION	2.854 ± 0.012		ENG APPR			
* B * DIMENSION	0.453 ± 0.012		MFG APPR			
SECTION VIEW A - A		MATERIAL	S11		DIA.	
NEXT ASSY		COLOR	206 BLACK		COMMENTS:	
APPLICATION		USED ON	LINER			
			DO NOT SCALE DRAWING			
SIZE	DWG. NO.	REV				
C	C070C4SPLIB					
SCALE: 2:1	WEIGHT:	SHEET 1 OF 1				