

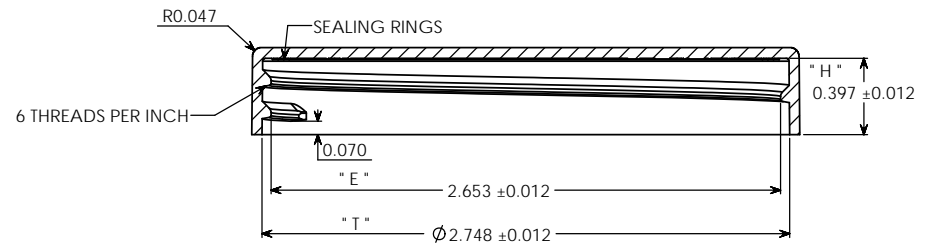
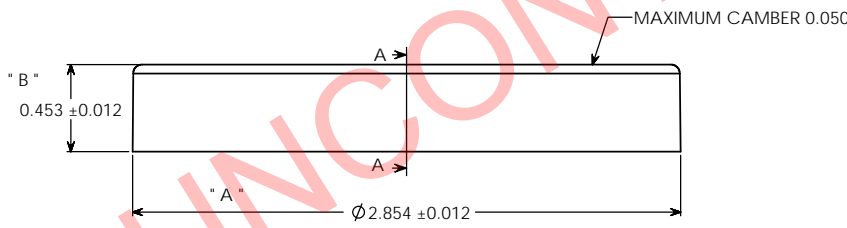
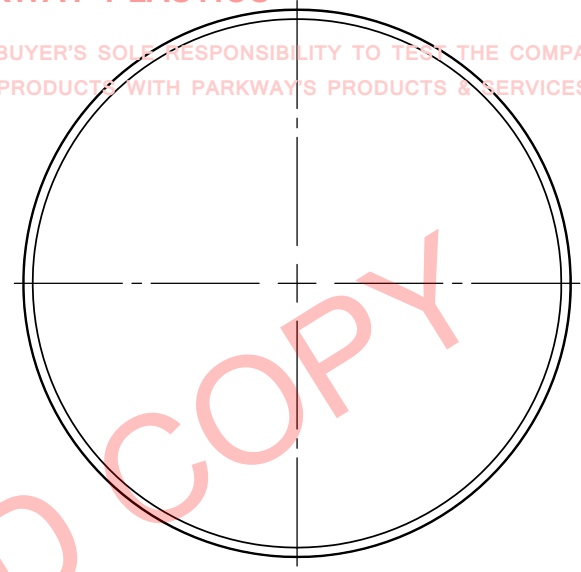
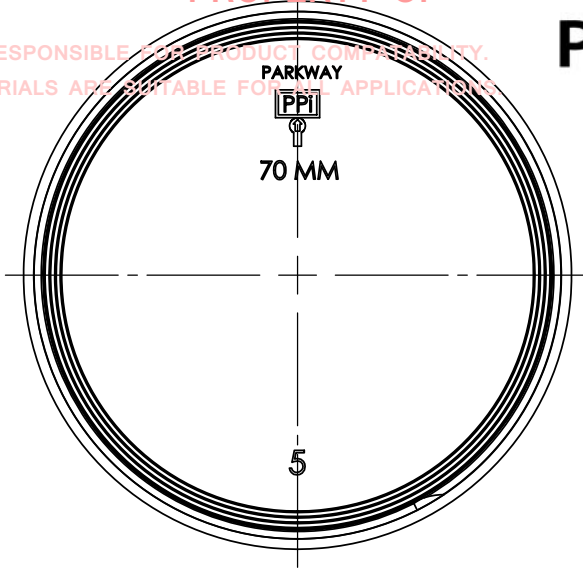
PROPERTY OF

PPI IS NOT RESPONSIBLE FOR PRODUCT COMPATIBILITY.  
NOT ALL MATERIALS ARE SUITABLE FOR ALL APPLICATIONS.



PARKWAY PLASTICS

IT IS THE BUYER'S SOLE RESPONSIBILITY TO TEST THE COMPATIBILITY  
OF THEIR PRODUCTS WITH PARKWAY'S PRODUCTS & SERVICES.



SECTION A-A

NOTE  
=====  
MANUFACTURER RESERVES THE RIGHT TO  
CHANGE SPECIFICATIONS WITHOUT NOTICE.

WEIGHT: 8 GRAMS ± 2 GRAMS

PROPRIETARY AND CONFIDENTIAL  
THE INFORMATION CONTAINED IN THIS  
DRAWING IS THE SOLE PROPERTY OF  
PARKWAY PLASTICS INC. ANY  
REPRODUCTION IN PART OR AS A WHOLE  
WITHOUT THE WRITTEN PERMISSION OF  
PARKWAY PLASTICS INC IS PROHIBITED.

"T" DIMENSION	2.748 ± 0.012	UNLESS OTHERWISE SPECIFIED:	NAME	DATE	<b>PARKWAY PLASTICS INC</b> TITLE: 70MM SMOOTH WALL WHITE CAP (CUSTOMER PRINT)	
"E" DIMENSION	2.653 ± 0.012	DIMENSIONS ARE IN INCHES	DRAWN	G.W.W		11/30/12
"H" DIMENSION	0.397 ± 0.012	TOLERANCES:	CHECKED			
"A" DIMENSION	2.854 ± 0.012	FRACTIONAL ±	ENG APPR			
"B" DIMENSION	0.453 ± 0.012	ANGULAR: MATCH ± BEND ±	MFG APPR			
SECTION VIEW	CAP	TWO PLACE DECIMAL ±	D.A.			
NEXT ASSY	USED ON	THREE PLACE DECIMAL ±	COMMENTS:			
APPLICATION	DO NOT SCALE DRAWING					

SIZE	DWG. NO.	REV
C	C070C4SPLIW	
SCALE: 2:1	WEIGHT:	SHEET 1 OF 1

UNCONTROLLED COPY