

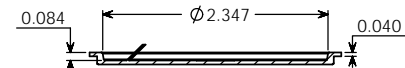
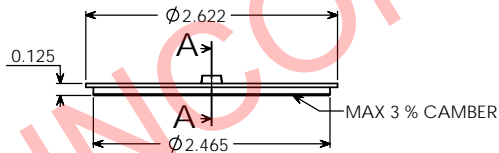
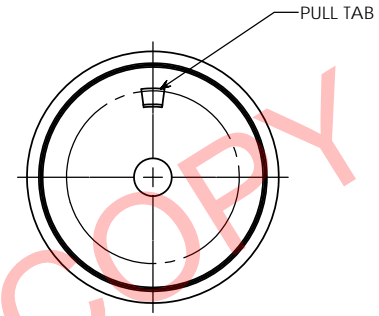
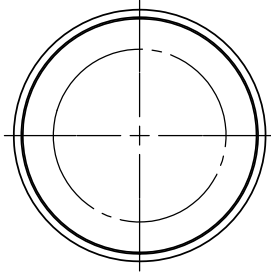
PROPERTY OF

PPI IS NOT RESPONSIBLE FOR PRODUCT COMPATABILITY.  
NOT ALL MATERIALS ARE SUITABLE FOR ALL APPLICATIONS.



PARKWAY PLASTICS

IT IS THE BUYER'S SOLE RESPONSIBILITY TO TEST THE COMPATIBILITY  
OF THEIR PRODUCTS WITH PARKWAY'S PRODUCTS & SERVICES.



SECTION A-A

NOTE

=====  
Manufacturer reserves the right to change specifications without notice. All purchase order for the item herein described, must be accompanied by a copy of this print. All dimensions have a tolerance of +/- 3 % unless otherwise specified.

Disk warpage = 5% of the diameter.

Weight = 4 grams +/- 0.5 grams

PROPRIETARY AND CONFIDENTIAL  THE INFORMATION CONTAINED IN THIS DRAWING IS THE SOLE PROPERTY OF PARKWAY PLASTICS INC. ANY REPRODUCTION IN PART OR AS A WHOLE WITHOUT THE WRITTEN PERMISSION OF PARKWAY PLASTICS INC IS PROHIBITED.	SECTION VIEW	DISK	UNLESS OTHERWISE SPECIFIED:	NAME	DATE	PARKWAY PLASTICS INC  TITLE: 70 MM DUST DISK (CUSTOMER PRINT)	
	A-A		DIMENSIONS ARE IN INCHES	G.W.W	12/17/12		
			TOLERANCES:	CHECKED			
			FRACTIONAL * ANGULAR MATCH * BEND * TWO PLACE DECIMAL * THREE PLACE DECIMAL *	ENG APPR			
			MATERIAL	MFG APPR			
			S11	D.A.			
			COLORANT	COMMENTS:			
			NA	REPLACES PRINT # 70CDPP			
	NEXT ASSY	USED ON	DECORATION	NA		SIZE DWG. NO. REV	
						C C070CD-PP	
	APPLICATION		DO NOT SCALE DRAWING			SCALE: 1:1 WEIGHT: SHEET 1 OF 1	