

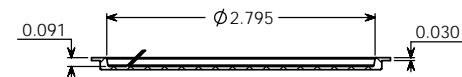
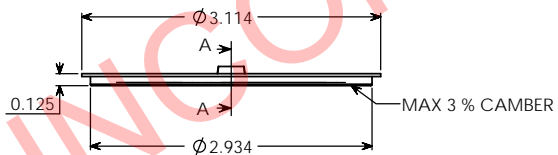
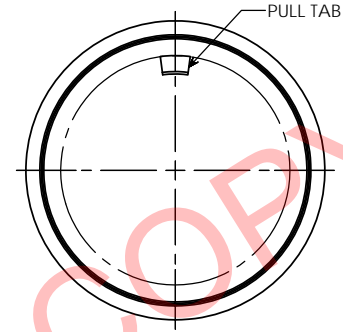
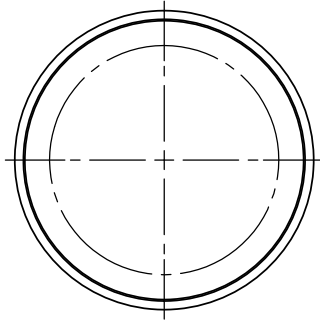
PROPERTY OF

PPI IS NOT RESPONSIBLE FOR PRODUCT COMPATABILITY.
NOT ALL MATERIALS ARE SUITABLE FOR ALL APPLICATIONS.



PARKWAY PLASTICS

IT IS THE BUYER'S SOLE RESPONSIBILITY TO TEST THE COMPATIBILITY
OF THEIR PRODUCTS WITH PARKWAY'S PRODUCTS & SERVICES.



SECTION A-A

NOTE

Manufacturer reserves the right to change specifications without notice. All purchase order for the item herein described, must be accompanied by a copy of this print. All dimensions have a tolerance of +/- 3% unless otherwise specified.

DISK WARPAGE= 5% OF THE DIAMETER
WEIGHT= 3.85 GRAMS ± 1 GRAM

PROPRIETARY AND CONFIDENTIAL
THE INFORMATION CONTAINED IN THIS DRAWING IS THE SOLE PROPERTY OF PARKWAY PLASTICS INC. ANY REPRODUCTION IN PART OR AS A WHOLE WITHOUT THE WRITTEN PERMISSION OF PARKWAY PLASTICS INC IS PROHIBITED.

SECTION VIEW A - A	DISK	UNLESS OTHERWISE SPECIFIED: DIMENSIONS ARE IN INCHES TOLERANCES: FRACTIONAL ± ANGULAR MATCH ± BEND ± TWO PLACE DECIMAL ± THREE PLACE DECIMAL ±	NAME G.W.W	DATE 12/15/12	PARKWAY PLASTICS INC TITLE: 83 MM DUST DISK (CUSTOMER PRINT)
		MATERIAL S11	CHECKED		
		COLORANT NA	ENG APPR		
		DECORATION NA	MFG APPR		
NEXT ASSY	USED ON	APPLICATION DO NOT SCALE DRAWING	COMMENTS REPLACES PRINT # 83CDPP		SIZE C
			SCALE: 1:1	WEIGHT:	REVISION DWG. NO. C083CD-PP
					REV
					SHEET 1 OF 1