

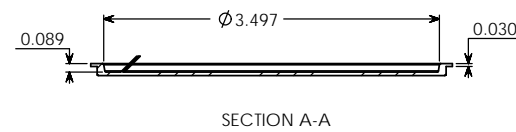
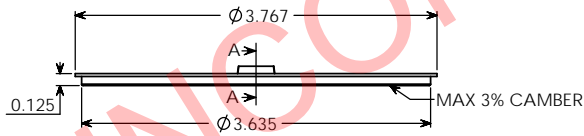
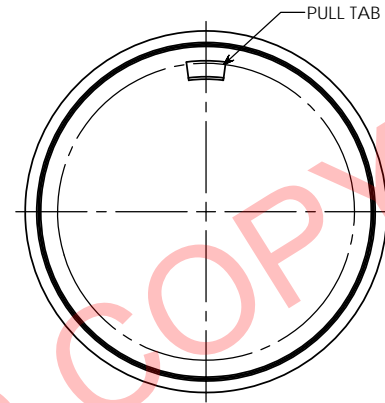
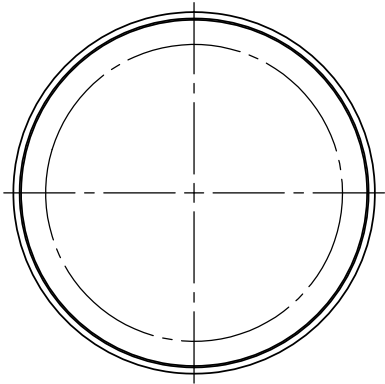
PROPERTY OF

PPI IS NOT RESPONSIBLE FOR PRODUCT COMPATABILITY.  
NOT ALL MATERIALS ARE SUITABLE FOR ALL APPLICATIONS.



PARKWAY PLASTICS

IT IS THE BUYER'S SOLE RESPONSIBILITY TO TEST THE COMPATIBILITY  
OF THEIR PRODUCTS WITH PARKWAY'S PRODUCTS & SERVICES.



NOTE

Manufacturer reserves the right to change specifications without notice. All purchase order for the item herein described, must be accompanied by a copy of this print. All dimensions have a tolerance of +/- 3 % unless otherwise specified.

DISK WARPAGE= 5 % OF THE DIAMETER  
WEIGHT= 6 GRAMS ± 1 GRAM

PROPRIETARY AND CONFIDENTIAL  
THE INFORMATION CONTAINED IN THIS DRAWING IS THE SOLE PROPERTY OF PARKWAY PLASTICS INC. ANY REPRODUCTION IN PART OR AS A WHOLE WITHOUT THE WRITTEN PERMISSION OF PARKWAY PLASTICS INC IS PROHIBITED.

SECTION VIEW A-A	DISK	UNLESS OTHERWISE SPECIFIED:	NAME	DATE	PARKWAY PLASTICS INC	
		DIMENSIONS ARE IN INCHES	DRAWN	G.W.W		02/14/13
		TOLERANCES:	CHECKED			TITLE:
		FRACTIONAL ±	ENG APPR			100 MM DUST DISK (CUSTOMER PRINT)
		ANGULAR MATCH ± BEND ±	MFG APPR		SIZE	
		TWO PLACE DECIMAL ±	D.A.		DWG. NO.	
		THREE PLACE DECIMAL ±	COMMENTS:		REV	
		MATERIAL			SCALE: 1:1	
		DECORANT			WEIGHT:	
		DECORATION			SHEET 1 OF 1	
NEXT ASSY	USED ON	DECORATION	REPLACES PRINT # C100CD-PP			
APPLICATION		DO NOT SCALE DRAWING				