

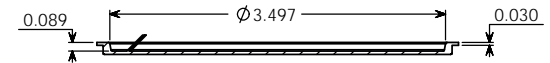
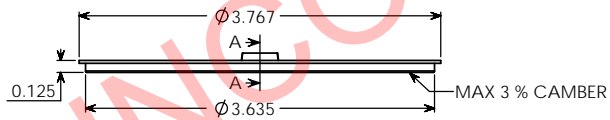
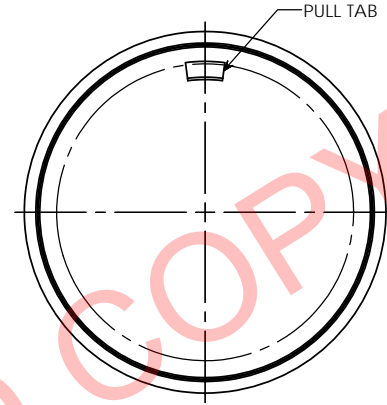
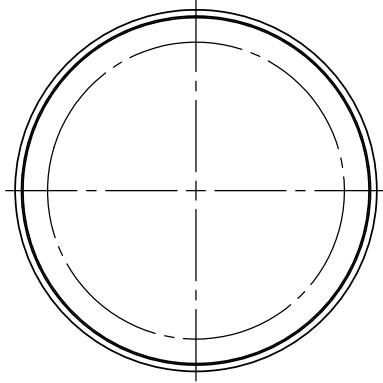
**PROPERTY OF**

PPI IS NOT RESPONSIBLE FOR PRODUCT COMPATABILITY.  
NOT ALL MATERIALS ARE SUITABLE FOR ALL APPLICATIONS.



**PARKWAY PLASTICS**

IT IS THE BUYER'S SOLE RESPONSIBILITY TO TEST THE COMPATIBILITY  
OF THEIR PRODUCTS WITH PARKWAY'S PRODUCTS & SERVICES.



SECTION A-A

**NOTE**

Manufacturer reserves the right to change specifications without notice. All purchase order for the item herein described, must be accompanied by a copy of this print. All dimensions have a tolerance of +/- 3 % unless otherwise specified.

DISK WARPAGE= 5 % OF THE DIAMETER  
WEIGHT= 6 GRAMS  $\pm$  1 GRAM

**PROPRIETARY AND CONFIDENTIAL**  
THE INFORMATION CONTAINED IN THIS DRAWING IS THE SOLE PROPERTY OF PARKWAY PLASTICS INC. ANY REPRODUCTION IN PART OR AS A WHOLE WITHOUT THE WRITTEN PERMISSION OF PARKWAY PLASTICS INC IS PROHIBITED.

SECTION VIEW A-A	DISK	UNLESS OTHERWISE SPECIFIED: DIMENSIONS ARE IN INCHES TOLERANCES: FRACTIONAL $\pm$ ANGULAR MATCH $\pm$ BEND $\pm$ TWO PLACE DECIMAL $\pm$ THREE PLACE DECIMAL $\pm$	NAME G.W.W	DATE 02/14/13	PARKWAY PLASTICS INC TITLE: 100 MM WHITE DUST DISK (CUSTOMER PRINT)
		MATERIAL S11	CHECKED	ENG APPR	
		COLORANT 61 WHITE	ENG APPR	DIA	SIZE DWG. NO. C C100CD-PPW
		DECORATION NA	COMMENTS		REV
NEXT ASSY	USED ON	APPLICATION DO NOT SCALE DRAWING			SCALE: 1:1 WEIGHT: SHEET 1 OF 1