

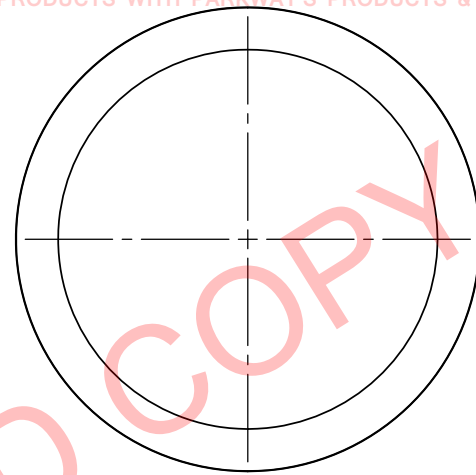
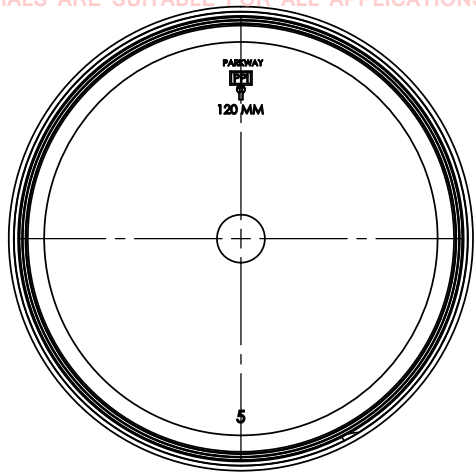
PROPERTY OF

PPI IS NOT RESPONSIBLE FOR PRODUCT COMPATABILITY.  
NOT ALL MATERIALS ARE SUITABLE FOR ALL APPLICATIONS.

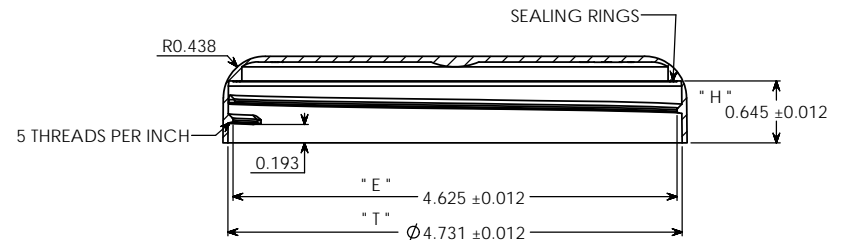
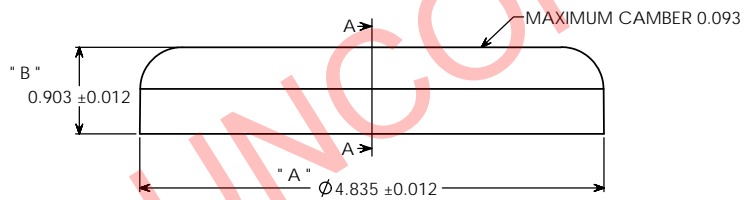


PARKWAY PLASTICS

IT IS THE BUYER'S SOLE RESPONSIBILITY TO TEST THE COMPATIBILITY  
OF THEIR PRODUCTS WITH PARKWAY'S PRODUCTS & SERVICES.



UNCONTROLLED COPY



SECTION A-A

NOTE  
=====  
MANUFACTURER RESERVES RIGHT TO  
CHANGE SPECIFICATIONS WITHOUT NOTICE  
WEIGHT: 25.6 GRAMS ± 2 GRAMS

PROPRIETARY AND CONFIDENTIAL  
THE INFORMATION CONTAINED IN THIS  
DRAWING IS THE SOLE PROPERTY OF  
PARKWAY PLASTICS INC. ANY  
REPRODUCTION IN PART OR AS A WHOLE  
WITHOUT THE WRITTEN PERMISSION OF  
PARKWAY PLASTICS INC IS PROHIBITED.

* T * DIMENSION	4.731 ± 0.012	UNLESS OTHERWISE SPECIFIED:	NAME	DATE	<b>PARKWAY PLASTICS INC</b> TITLE: 120 MM DOME BLACK CAP (CUSTOMER PRINT)	
* E * DIMENSION	4.625 ± 0.012	DIMENSIONS ARE IN INCHES	DRAWN	G.W.W		12/12/12
* H * DIMENSION	0.645 ± 0.012	TOLERANCES:	CHECKED			
* A * DIMENSION	4.835 ± 0.012	FRACTIONAL ±	ENG APPR			
		ANGULAR MATCH ± BEND ±	MFG APPR			
		TWO PLACE DECIMAL ±	D.A.			
		THREE PLACE DECIMAL ±	COMMENTS:			
* B * DIMENSION	0.903 ± 0.012	MATERIAL	S11			
SECTION VIEW	CAP	COLOR	206 BLACK			
A - A		LINER	NA			
NEXT ASSY	USED ON	APPLICATION	DO NOT SCALE DRAWING			

SIZE	DWG. NO.	REV
C	C120C4DPLIB	
SCALE: 1:1	WEIGHT:	SHEET 1 OF 1