

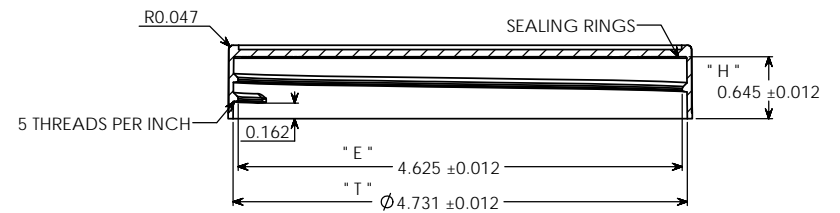
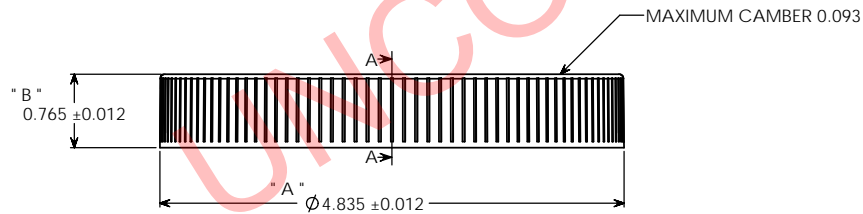
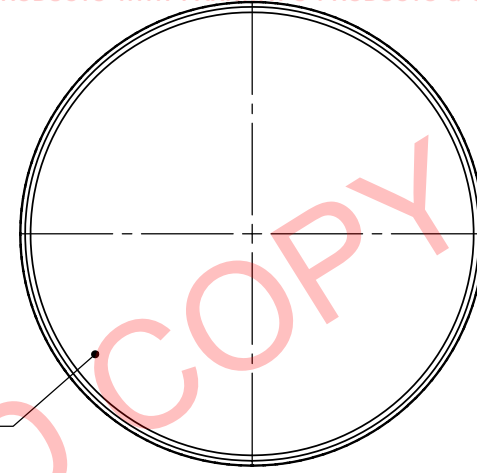
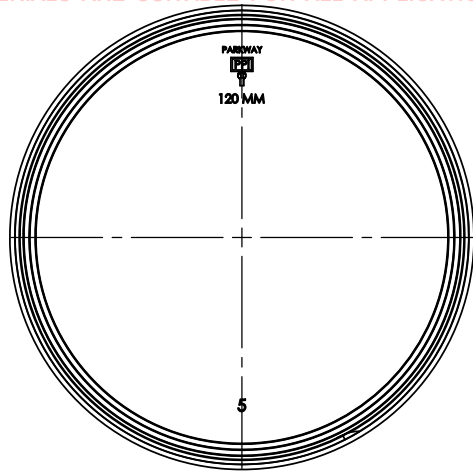
PROPERTY OF

PPI IS NOT RESPONSIBLE FOR PRODUCT COMPATABILITY.
NOT ALL MATERIALS ARE SUITABLE FOR ALL APPLICATIONS.



PARKWAY PLASTICS

IT IS THE BUYER'S SOLE RESPONSIBILITY TO TEST THE COMPATIBILITY
OF THEIR PRODUCTS WITH PARKWAY'S PRODUCTS & SERVICES.



SECTION A-A

NOTE

MANUFACTURER RESERVES RIGHT TO
CHANGE SPECIFICATIONS WITHOUT NOTICE

WEIGHT: 27 GRAMS ± 2 GRAMS

"T" DIMENSION	4.731 ± 0.012	UNLESS OTHERWISE SPECIFIED:	NAME	DATE	PARKWAY PLASTICS INC
"E" DIMENSION	4.625 ± 0.012	DIMENSIONS ARE IN INCHES	G.W.W	12/12/12	
"H" DIMENSION	0.645 ± 0.012	FRACTIONAL * ANGULAR MATCH * BEND * TWO PLACE DECIMAL * THREE PLACE DECIMAL *	CHECKED		
"A" DIMENSION	4.835 ± 0.012		ENG APPR		
"B" DIMENSION	0.765 ± 0.012	MATERIAL	MFG APPR		TITLE:
SECTION VIEW	CAP	S10-01	D.A.		120 MM RIBBED CAP (CUSTOMER PRINT)
A - A	USED ON	COLORANT	COMMENTS:		REPLACES PRINT # 120RSC
		LINER			SIZE DWG. NO. REV
APPLICATION	DO NOT SCALE DRAWING				C C120C4RPLIN
					SCALE: 1:1 WEIGHT: SHEET 1 OF 1