

4

3

2

1

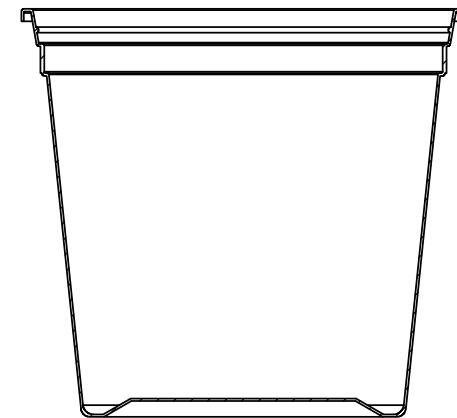
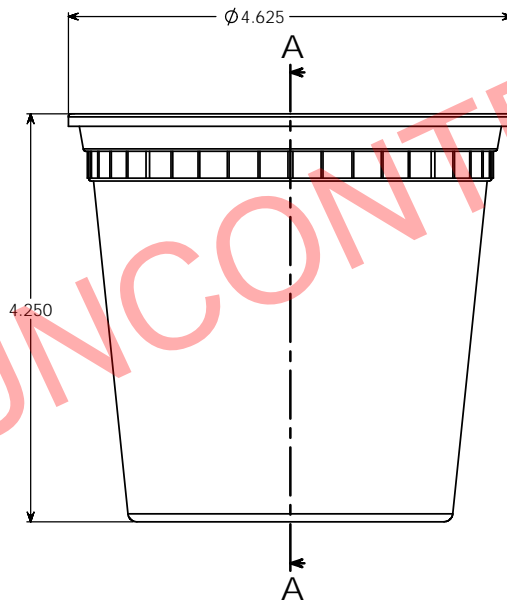
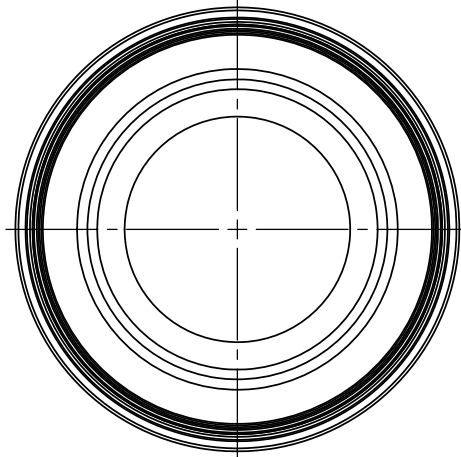
PROPERTY OF



PARKWAY PLASTICS

PPI DOESN'T MAKE ANY WARRANTIES REGARDING MERCHANTABILITY.  
 NOT ALL MATERIALS ARE SUITABLE FOR ALL APPLICATIONS.

IT IS THE BUYER'S SOLE RESPONSIBILITY TO TEST THE COMPATIBILITY  
 OF THEIR PRODUCTS WITH PARKWAY'S PRODUCTS & SERVICES.



SECTION A-A

UNCONTROLLED COPY

PROPRIETARY AND CONFIDENTIAL  
 THE INFORMATION CONTAINED IN THIS  
 DRAWING IS THE SOLE PROPERTY OF  
 PARKWAY PLASTICS, INC. ANY  
 REPRODUCTION IN PART OR AS A WHOLE  
 WITHOUT THE WRITTEN PERMISSION OF  
 PARKWAY PLASTICS, INC. IS PROHIBITED.

		UNLESS OTHERWISE SPECIFIED:		NAME	DATE	PARKWAY PLASTICS INC	
		DIMENSIONS ARE IN INCHES TOLERANCES:		DRAWN	G.W.W	10/15/22	TITLE:
		FRACTIONAL ±		CHECKED			24 oz Deli
		ANGULAR: MATCH ± BEND ±		ENG APPR			Container
		TWO PLACE DECIMAL ±		MFG APPR			SIZE DWG. NO.
		THREE PLACE DECIMAL ±		C.I.A.			C PDC2400PPN-0024WY1
		INTERPRET GEOMETRIC TOLERANCING PER:		COMMENTS:			REV
		DATALINE					SCALE: 1:1
NEXT ASSY		USED ON		FINISH			WEIGHT:
APPLICATION		DO NOT SCALE DRAWING					SHEET 1 OF 1

4

3

2

1

PROPERTY OF



PARKWAY PLASTICS

PPI DOESN'T MAKE ANY WARRANTIES REGARDING MERCHANTABILITY.  
NOT ALL MATERIALS ARE SUITABLE FOR ALL APPLICATIONS.

IT IS THE BUYER'S SOLE RESPONSIBILITY TO TEST THE COMPATIBILITY  
OF THEIR PRODUCTS WITH PARKWAY'S PRODUCTS & SERVICES.

UNCONTROLLED COPY

INDUSTRIES INC  
BERGEN N J  
24-2



MICROWAVE REHEATABLE  
B-1

PROPERTY OF



PARKWAY PLASTICS

PPI DOESN'T MAKE ANY WARRANTIES REGARDING MERCHANTABILITY.  
NOT ALL MATERIALS ARE SUITABLE FOR ALL APPLICATIONS.

IT IS THE BUYER'S SOLE RESPONSIBILITY TO TEST THE COMPATIBILITY  
OF THEIR PRODUCTS WITH PARKWAY'S PRODUCTS & SERVICES.

UNCONTROLLED COPY

