

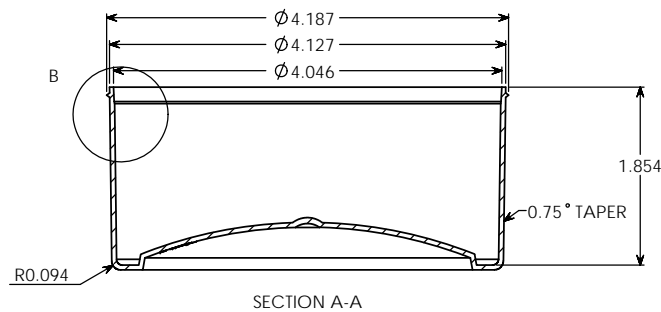
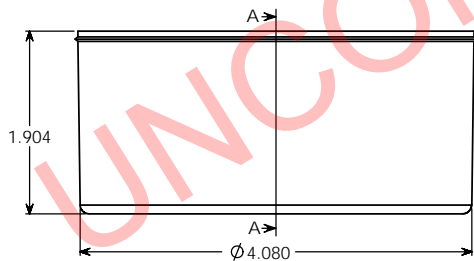
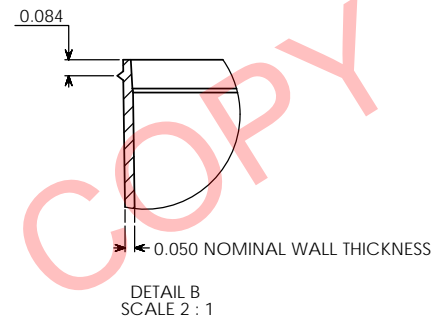
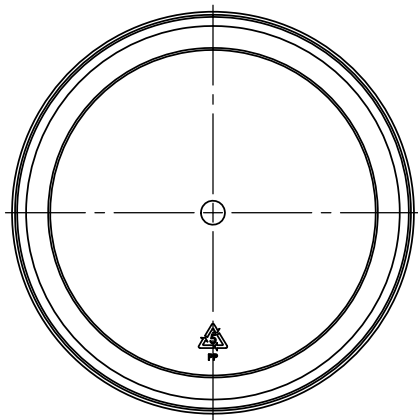
PROPERTY OF

PPI IS NOT RESPONSIBLE FOR PRODUCT COMPATABILITY.
NOT ALL MATERIALS ARE SUITABLE FOR ALL APPLICATIONS.



PARKWAY PLASTICS

IT IS THE BUYER'S SOLE RESPONSIBILITY TO TEST THE COMPATIBILITY
OF THEIR PRODUCTS WITH PARKWAY'S PRODUCTS & SERVICES.



NOTE

Manufacturer reserves the right to change specifications without notice. All purchase order for the item herein described, must be accompanied by a copy of this print. All dimensions have a tolerance of +/- 3 % unless otherwise specified.
SIDEWALL CAMBER .050" PER SIDE MAX.

OVERFLOW: 340 ML
WEIGHT: 27 GRAMS ± 3 GRAMS

PROPRIETARY AND CONFIDENTIAL
THE INFORMATION CONTAINED IN THIS DRAWING IS THE SOLE PROPERTY OF PARKWAY PLASTICS INC. ANY REPRODUCTION IN PART OR AS A WHOLE WITHOUT THE WRITTEN PERMISSION OF PARKWAY PLASTICS INC IS PROHIBITED.

SECTION VIEW A - A	WAX CAN	UNLESS OTHERWISE SPECIFIED: DIMENSIONS ARE IN INCHES TOLERANCES: FRACTIONAL ± ANGULAR: MACH ± BEND ± TWO PLACE DECIMAL ± THREE PLACE DECIMAL ±	NAME G. W. W.	DATE 03/28/13	PARKWAY PLASTICS INC
		MATERIAL S10-01	CHECKED	ENG APPR	
		COLOR/DRAWN	ENG APPR	D.A.	COMMENTS REPLACES PRINT # 10100WAX
NEXT ASSY	USED ON	DECORATION	NA	NA	SIZE DWG. NO. C X-01-0585
APPLICATION		DO NOT SCALE DRAWING			REV SCALE: 1:1 WEIGHT: SHEET 1 OF 1

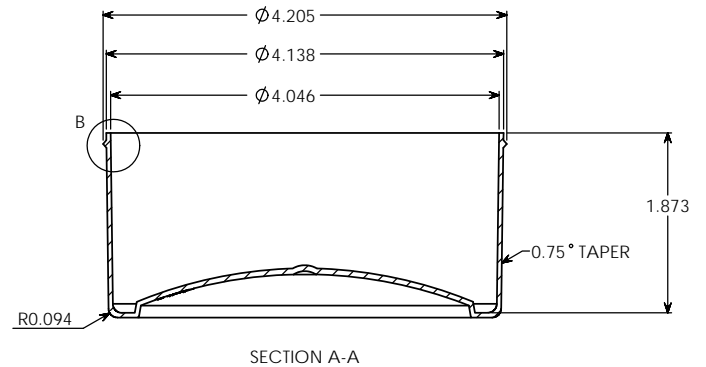
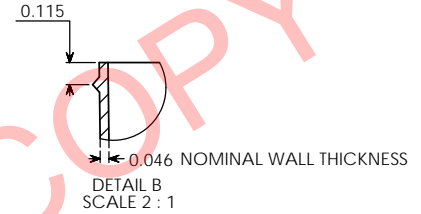
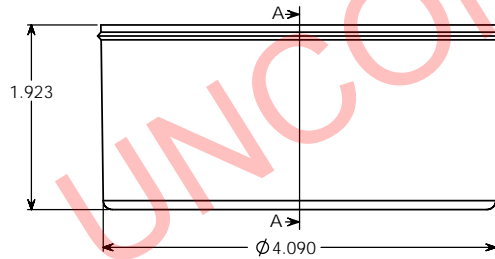
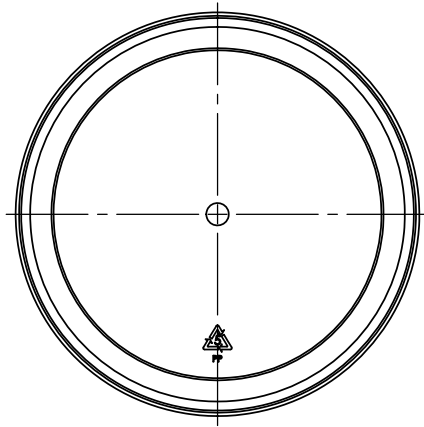
PROPERTY OF

PPI IS NOT RESPONSIBLE FOR PRODUCT COMPATABILITY.
NOT ALL MATERIALS ARE SUITABLE FOR ALL APPLICATIONS.



PARKWAY PLASTICS

IT IS THE BUYER'S SOLE RESPONSIBILITY TO TEST THE COMPATIBILITY
OF THEIR PRODUCTS WITH PARKWAY'S PRODUCTS & SERVICES.



NOTE

Manufacturer reserves the right to change specifications without notice. All purchase order for the item herein described, must be accompanied by a copy of this print. All dimensions have a tolerance of +/- 3 % unless otherwise specified.
SIDEWALL CAMBER .050" PER SIDE MAX.

OVERFLOW: 340 ML
WEIGHT: 28 GRAMS ± 3 GRAMS

SECTION VIEW A-A	WAX CAN	UNLESS OTHERWISE SPECIFIED:	NAME	DATE	PARKWAY PLASTICS INC
		DIMENSIONS ARE IN INCHES	G. W. W.	04/04/13	
		TOLERANCES:	CHECKED		TITLE:
		FRACTIONAL ±	ENG APPR		10 OZ 100 MM POLYPROPYLENE
		ANGULAR MATCH ± BEND ±	MFG APPR		WAX CAN 2 CAVITY MOLD
		TWO PLACE DECIMAL ±	D.A.		(CUSTOMER PRINT)
		THREE PLACE DECIMAL ±	COMMENTS:		SIZE DWG. NO.
		MATERIAL			C X-01-0585 (2) REV
		COLOR/GRN			SCALE: 1:1 WEIGHT:
		DECORATION			SHEET 1 OF 1
NEXT ASSY	USED ON	APPLICATION			
		DO NOT SCALE DRAWING			

PROPRIETARY AND CONFIDENTIAL
THE INFORMATION CONTAINED IN THIS DRAWING IS THE SOLE PROPERTY OF PARKWAY PLASTICS INC. ANY REPRODUCTION IN PART OR AS A WHOLE WITHOUT THE WRITTEN PERMISSION OF PARKWAY PLASTICS INC IS PROHIBITED.

UNCONTROLLED COPY