

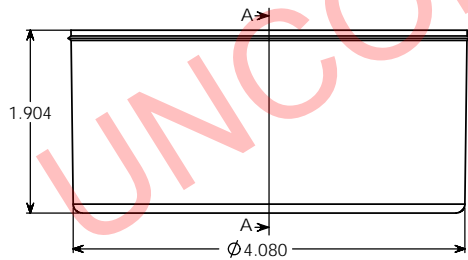
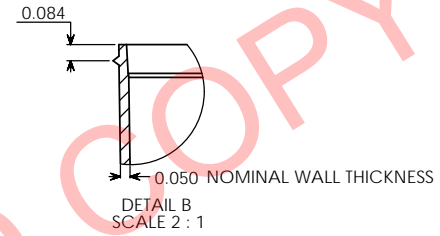
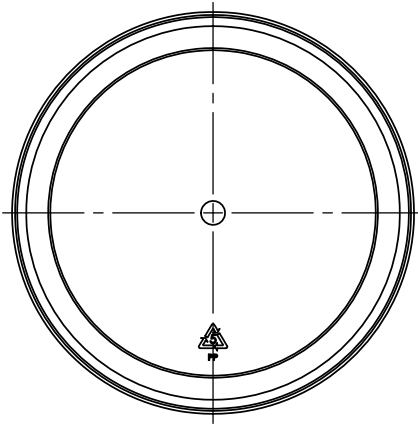
PROPERTY OF

PPI IS NOT RESPONSIBLE FOR PRODUCT COMPATABILITY.  
NOT ALL MATERIALS ARE SUITABLE FOR ALL APPLICATIONS.



PARKWAY PLASTICS

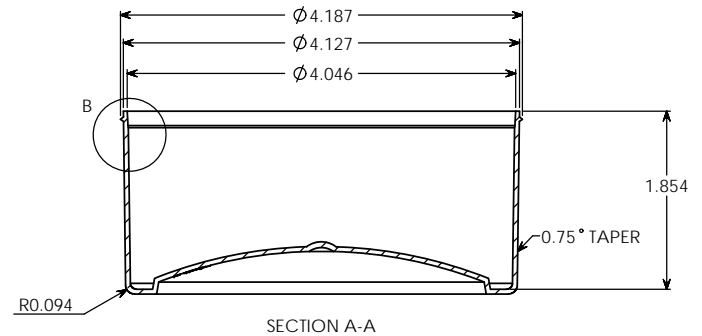
IT IS THE BUYER'S SOLE RESPONSIBILITY TO TEST THE COMPATIBILITY  
OF THEIR PRODUCTS WITH PARKWAY'S PRODUCTS & SERVICES.



NOTE

=====  
Manufacturer reserves the right to  
change specifications without notice.  
All purchase order for the item herein  
described, must be accompanied by  
a copy of this print. All dimensions have  
a tolerance of +/- 3 % unless otherwise  
specified.  
SIDEWALL CAMBER .050" PER SIDE MAX.

OVERFLOW: 340 ML  
WEIGHT: 27 GRAMS ± 3 GRAMS



PROPRIETARY AND CONFIDENTIAL  
THE INFORMATION CONTAINED IN THIS  
DRAWING IS THE SOLE PROPERTY OF  
PARKWAY PLASTICS INC. ANY  
REPRODUCTION IN PART OR AS A WHOLE  
WITHOUT THE WRITTEN PERMISSION OF  
PARKWAY PLASTICS INC IS PROHIBITED.

SECTION VIEW A - A	WAX CAN	UNLESS OTHERWISE SPECIFIED: DIMENSIONS ARE IN INCHES TOLERANCES: FRACTIONAL ± ANGULAR MATCH ± BEND ± TWO PLACE DECIMAL ± THREE PLACE DECIMAL ± MATERIAL S11 COLORANT 61 WHITE DECORATION NA	NAME G.W.W	DATE 04/01/13	PARKWAY PLASTICS INC TITLE: 10 OZ 100 MM WHITE POLYPROPYLENE WAX CAN SINGLE CAVITY MOLD (CUSTOMER PRINT)
			CHECKED		
			ENG APPR		DWG. NO. X-01-0592
			MFG APPR		REV
			D.A.		SCALE: 1:1
			COMMENTS:		WEIGHT:
NEXT ASSY	USED ON	DO NOT SCALE DRAWING			SHEET 1 OF 1

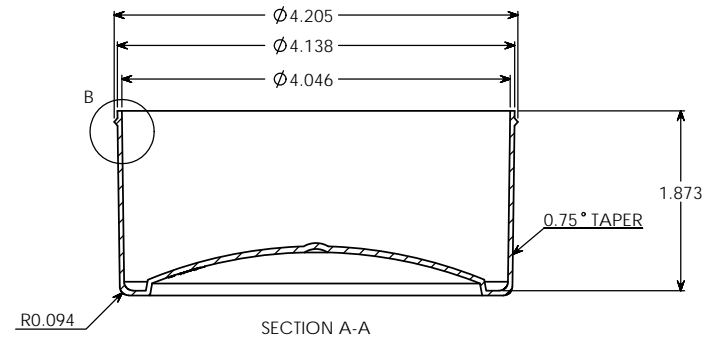
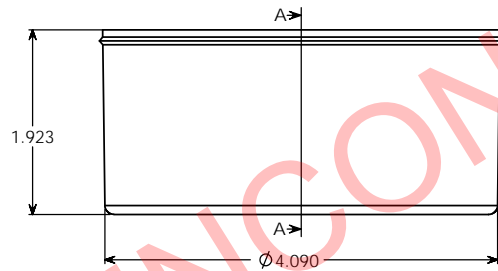
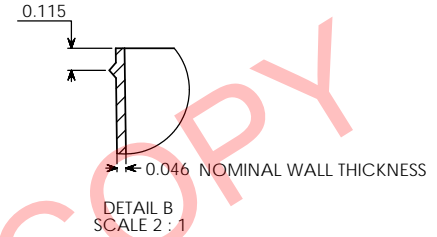
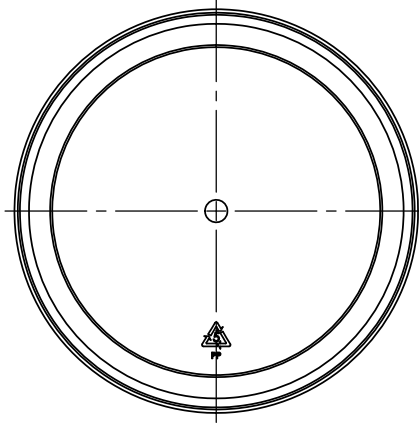
PROPERTY OF

PPI IS NOT RESPONSIBLE FOR PRODUCT COMPATABILITY.  
NOT ALL MATERIALS ARE SUITABLE FOR ALL APPLICATIONS.



PARKWAY PLASTICS

IT IS THE BUYER'S SOLE RESPONSIBILITY TO TEST THE COMPATIBILITY  
OF THEIR PRODUCTS WITH PARKWAY'S PRODUCTS & SERVICES.



UNCONTROLLED COPY

NOTE

Manufacturer reserves the right to change specifications without notice. All purchase order for the item herein described, must be accompanied by a copy of this print. All dimensions have a tolerance of +/- 3% unless otherwise specified. SIDEWALL CAMBER .050" PER SIDE MAX.

OVERFLOW: 340 ML  
WEIGHT: 28 GRAMS ± 3 GRAMS

PROPRIETARY AND CONFIDENTIAL  
THE INFORMATION CONTAINED IN THIS DRAWING IS THE SOLE PROPERTY OF PARKWAY PLASTICS INC. ANY REPRODUCTION IN PART OR AS A WHOLE WITHOUT THE WRITTEN PERMISSION OF PARKWAY PLASTICS INC IS PROHIBITED.

SECTION VIEW A - A	WAX CAN	UNLESS OTHERWISE SPECIFIED: DIMENSIONS ARE IN INCHES TOLERANCES: FRACTIONAL ± ANGULAR MATCH ± BEND ± TWO PLACE DECIMAL ± THREE PLACE DECIMAL ± MATERIAL S11 COLOR/DRAWN 61 WHITE DECORATION NA	NAME G.W.W	DATE 04/04/13	PARKWAY PLASTICS INC TITLE: 10 OZ 100 MM POLYPROPYLENE WHITE WAX CAN 2 CAVITY MOLD (CUSTOMER PRINT)
			CHECKED		
			ENG APPR		DWG. NO. X-01-0592 (2)
			D.A.		REV
			COMMENTS:		SCALE: 1:1
NEXT ASSY	USED ON	DECORATION			WEIGHT:
APPLICATION		DO NOT SCALE DRAWING			SHEET 1 OF 1