

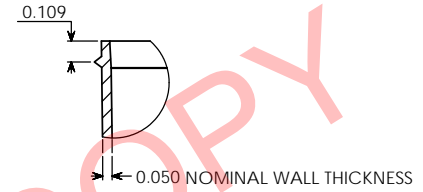
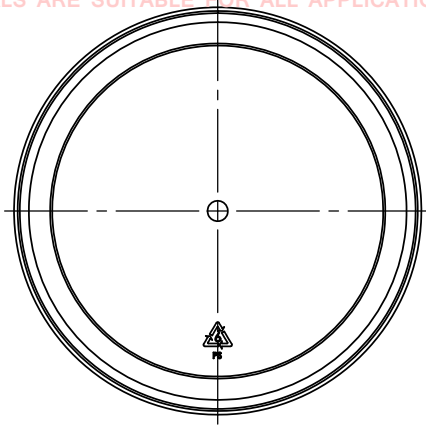
PROPERTY OF

PPI IS NOT RESPONSIBLE FOR PRODUCT COMPATABILITY.
NOT ALL MATERIALS ARE SUITABLE FOR ALL APPLICATIONS.

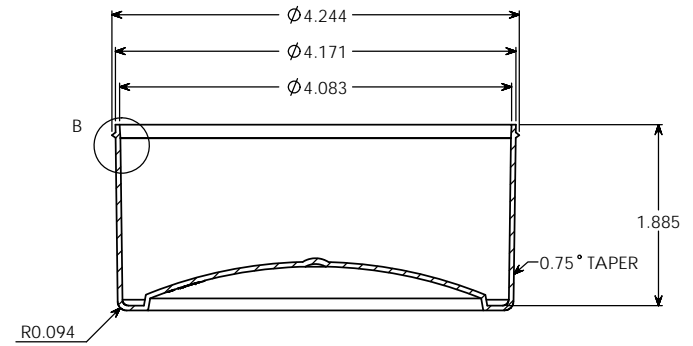
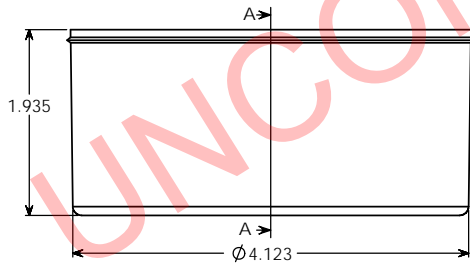


PARKWAY PLASTICS

IT IS THE BUYER'S SOLE RESPONSIBILITY TO TEST THE COMPATIBILITY
OF THEIR PRODUCTS WITH PARKWAY'S PRODUCTS & SERVICES.



DETAIL B
SCALE 2 : 1



SECTION A-A

NOTE

Manufacturer reserves the right to change specifications without notice. All purchase order for the item herein described, must be accompanied by a copy of this print. All dimensions have a tolerance of +/- 3 % unless otherwise specified.
SIDEWALL CAMBER .050" PER SIDE MAX.

OVERFLOW: 332 ML
WEIGHT: 34 GRAMS ± 3 GRAMS

PROPRIETARY AND CONFIDENTIAL
THE INFORMATION CONTAINED IN THIS DRAWING IS THE SOLE PROPERTY OF PARKWAY PLASTICS INC. ANY REPRODUCTION IN PART OR AS A WHOLE WITHOUT THE WRITTEN PERMISSION OF PARKWAY PLASTICS INC IS PROHIBITED.

SECTION VIEW A-A		WAX CAN	UNLESS OTHERWISE SPECIFIED:	NAME	DATE	PARKWAY PLASTICS INC	
DIMENSIONS ARE IN INCHES			DRAWN	G.W.W	04/08/13		TITLE: 10 OZ 100 MM STYRENE WAX CAN SINGLE CAVITY MOLD (CUSTOMER PRINT)
TOLERANCES:			CHECKED				
FRACTIONAL ±			ENG APPR				
ANGULAR MATCH ± BEND ±			MFG APPR				
TWO PLACE DECIMAL ±			QA				
THREE PLACE DECIMAL ±			COMMENTS			SIZE	
MATERIAL			REPLACES PRINT			DWG. NO.	
			# 100SWC			REV	
COLOR/GRANT			U11			SCALE: 1:1	
DECORATION			NA			WEIGHT:	
NEXT ASSY	USED ON	APPLICATION	DO NOT SCALE DRAWING			SHEET 1 OF 1	